

STANDS



VPS (Versatile Platform Stand)



Cabinet Stand

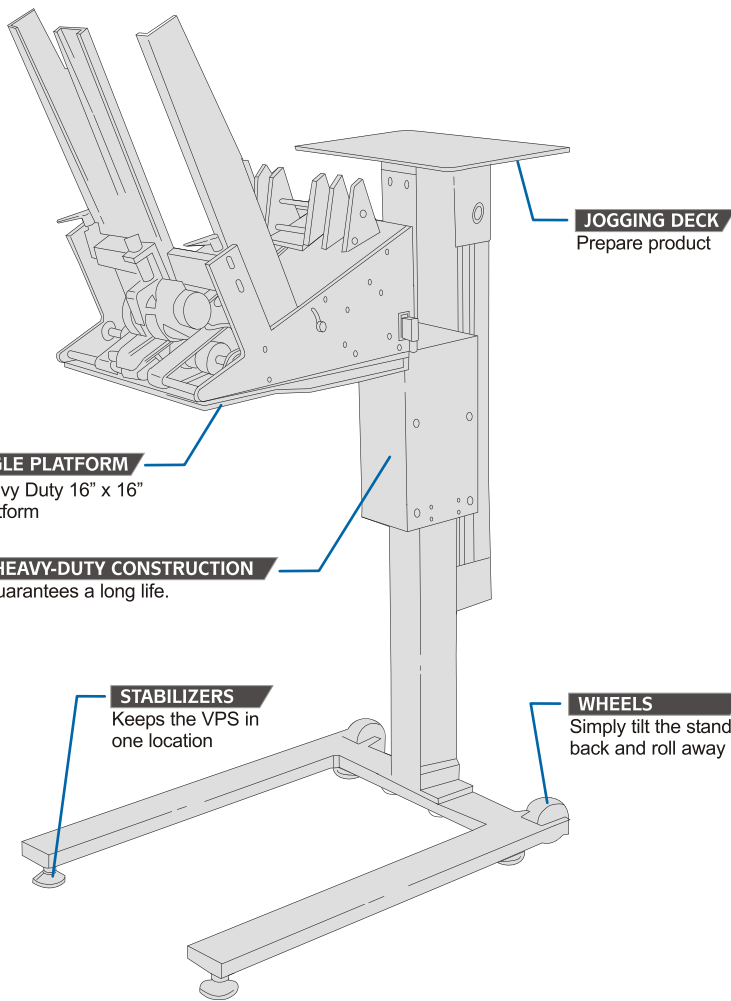


Sure-Jet Cabinet Stand

TYPE OF UNITS: Product & Feeder Stands

VPS Versatile Platform Stand

Features - The VPS features a fully adjustable 16" x 16" rotating platform, forward stand construction for straddling infeed conveyors, and low profile forward leg extensions for sliding under cabinet style systems. Heavy duty body construction ensures stability and rear wheel placement for easy mobility.



TECHNICAL SPECIFICATIONS

VPS	
Platform Height Maximum	42.5"
Platform Height Minimum	29.5"
Weight Capacity	125 lbs.
Platform Size	16" x 16"
Platform Thickness	1/4"
Warranty	2 Year Limited

All Specifications are subject to change.



Cabinet Stand

► **Features** - The Sure-Feed Cabinet Stand features heavy duty 18" x 20" platform, heavy duty body construction ensure stability. Also features adjustable height.

TECHNICAL SPECIFICATIONS	
Cabinet Stand	
Maximum Height	36"
Minimum Height	33"
Platform Thickness	1/4"
Platform Size	18" x 30"
Warranty	2 Year Limited

All Specifications are subject to change.



Sure-Jet Cabinet Stand

► **Features** - The Sure-Jet Cabinet Stand a fully enclosed cabinet perfect for storing product, tools, etc. Heavy duty body construction ensure stability. Also features adjustable height.

TECHNICAL SPECIFICATIONS	
Sure-Jet Cabinet Stand	
Maximum Height	42.5"
Minimum Height	31.5"
Platform Thickness	1/4"
Platform Size	24" x 24"
Warranty	2 Year Limited

All Specifications are subject to change.

► simply innovative



SURE-FEED ENGINEERING
12050 49th STREET NORTH, CLEARWATER FL. 33762-4301
PHONE: 727.571.3330 FAX: 727.571.3443 TOLL FREE: 1.800.INSERTER

visit us on the worldwide web at :www.sure-feed.com
e-mail: sales@sure-feed.com